



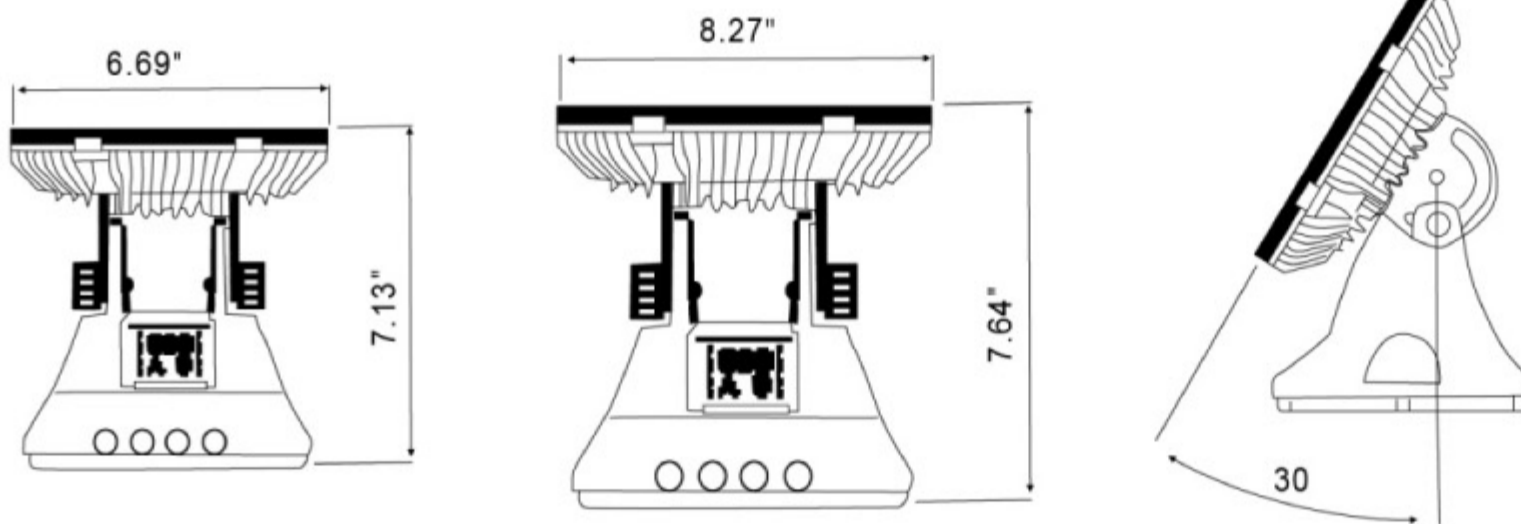
WW03



Product Specifications

Main body: Die-cast Aluminum
LED Quantity: 18pcs, 36pcs
Size: D7X7H, D8X4H
Wattage: LED/1W
Color: R-6, G-6, B-6, R-12, G-12, B-12
Input Volt: 100V~240V AC
Working Volt: 24V DC
Power Consumption: 20 (Max.), 35W (Max.)
Accessories: Cord and controls TBD
Lens: 10°20°45°15°x50°
Certification: UL cUL,IP65,CE
 *Other sizes and beam angles are available.
 Consult Factory

Dimensional Drawings:



Ordering information

Example: WW03-5-LED-18-1-RGBW-W-10

Series	Source	Wattage	Voltage	CCT	Finish	Lens Beam Angles
WW03	LED=LED	18=18W 36=36W	1=100-240V	RGBW=RGBW R-6=R-6 G-6=G-6 B-6=B-6 R-12=R-12 G-12=G-12 B-12=B-12	W=White	10=10° 20=20° 45=45° 50=50°

*Consult Factory regarding availability.

