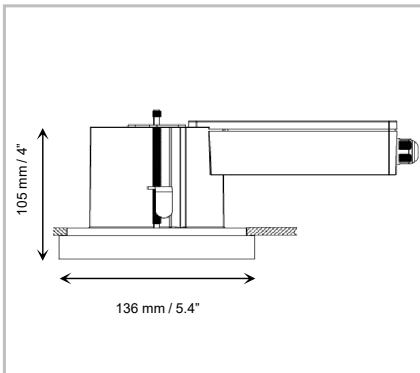


WP Downlight



Product Specifications

Material: Die casting aluminum alloy. Tempered Glass. High purity aluminum reflector.
Wattage: 11W.
Electrical: 120 ~ 277Vac, 50/60Hz Driver.
Power factor: ≥90%
Led efficiency: 124 lm/W
Color temperature: 2700K, 3000K, 4000K, 5000K
Operation temperature: -20°C to 40°C
Color Rendering Index (CRI): ≥ 80
IP: 67.



Ordering information

Ordering Example: DLWP

Series	Voltage	Color Temp	Finish	Optic	Optional
DLWP	1 = 120V 2 = 277V	1 = 2700K 2 = 3000K 3 = 4000K 4 = 5000K	Black	1 = 25° 2 = 45° 3 = 60°	1 = Non - Dimmable 2 = Dimmable 0-10V