

Product Specifications



Material: Die-cast aluminum body and heat sink, frosted PMMA diffuser with linear optic.

Wattage: 35W.

Electrical: 120 ~ 277Vac, 50/60Hz Driver.

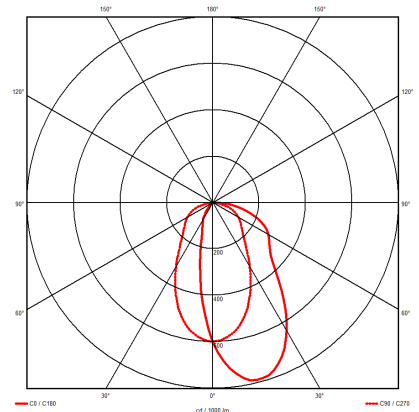
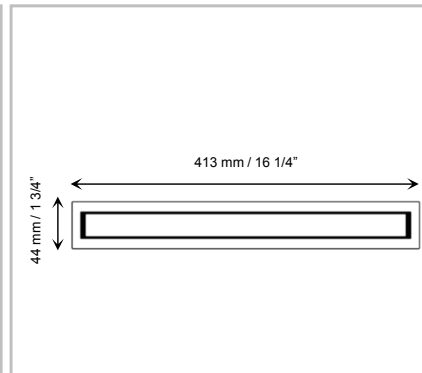
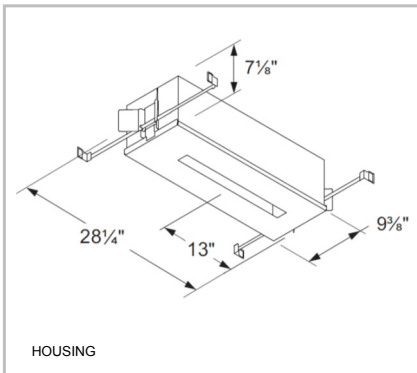
Power factor: ≥ 90%

Led efficiency: 30 lm/W

Color temperature: 2700K, 3000K, 4000K, 5000K

Operation temperature: -20°C to 40°C

Color Rendering Index (CRI): 90



Ordering information



Ordering Example: ELA15W-1-2-1-WW-2

Series	Voltage	Color Temp	Finish	Optic	Optional
ELA15W	1 = 120V 2 = 277V	1 = 2700K 2 = 3000K 3 = 4000K 4 = 5000K	1 = White/Black 2 = Black/Black	Wall Washer	1 = Non - Dimmable 2 = Dimmable 0-10V