

Product Specifications



Material: Die-cast aluminum body and heat sink, thermoplastic reflector & baffle.

Wattage: 12.8W.

Electrical: 120 ~ 277Vac, 50/60Hz Driver.

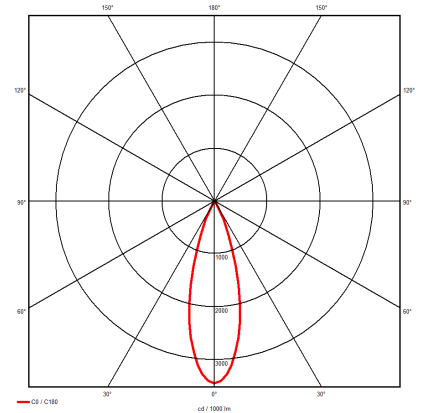
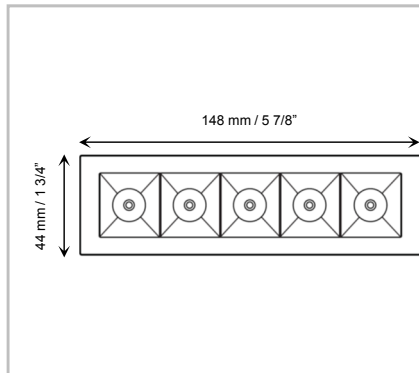
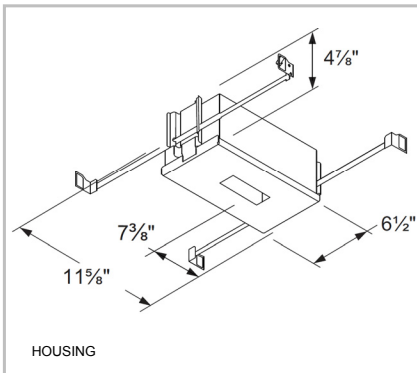
Power factor: ≥ 90%

Led efficiency: 59 lm/W

Color temperature: 2700K, 3000K, 4000K, 5000K

Operation temperature: -20°C to 40°C

Color Rendering Index (CRI): 90



Ordering information



Ordering Example: ELA5-1-2-1-1-2



Series

Voltage

Color Temp

Finish

Optic

Optional

ELA5

1 = 120V
2 = 277V

1 = 2700K | 2 = 3000K
3 = 4000K | 4 = 5000K

1 = White/Black
2 = Black/Black

1 = Flood
2 = Spot

1 = Non - Dimmable
2 = Dimmable 0-10V